

CLEVIS ROLLER HANGERS

PLAIN & HOT DIP GALVANIZED

CERTIFICATION

TECHNICAL DATA



FOR INSTALL SUPPORT
sales@allfasteners.com



FOR SPECIFICATION SUPPORT
certs@allfasteners.com



FOR CUSTOMER SUPPORT
888.859.6060





CLEVIS ROLLER HANGERS

PLAIN & HOT DIP GALVANIZED

Clevis Roller Hanger are designed for the suspension of pipe where longitudinal movement of pipe may occur due to expansion and contraction.

Made of carbon steel yoke with cast iron roller. Available in plain and hot dip galvanized finishes.



KEY BENEFITS

- Plain & hot dip galvanized finishes
- Allows smooth pipe movement due to thermal expansion and contraction.
- Reduces stress on piping systems and support structures.
- Provides vertical adjustment for easier installation and alignment.
- Suitable for commercial and industrial piping applications.
- Available in sizes 2"-24".

APPLICATIONS

Clevis Roller Hanger are designed for suspended piping applications where thermal expansion, contraction, or longitudinal pipe movement must be accommodated while maintaining reliable pipe support.

- HVAC piping systems
- Chilled water and hot water lines
- Steam and condensate piping
- Industrial process piping
- Mechanical room installations
- Data centers
- Hospitals and healthcare facilities
- Commercial and institutional buildings
- Long suspended pipe runs with thermal movement
- Systems requiring controlled pipe expansion and contraction

MATERIAL SPECIFICATIONS

TABLE 1: MATERIAL SPECIFICATIONS

SIZE	2" through 24"
MATERIAL	Roller: ASTM A48, CLASS 25A Yoke, Axel & Hardware: AISI C1015 Carbon Steel
FINISH	Plain & hot dip galvanized
SERVICE	Designed for the suspension of pipe where longitudinal movement of pipe may occur due to expansion and contraction, and where vertical adjustment may be necessary
FEATURES	Maximum temperature 450° F. Designed to be compatible with Elite Components Roller
APPROVALS	Conforms with Federal Specification A-A-1192A (Type 41/43), W-W-171-E (Type 42/44), Manufacturers Standardization Society (MSS) SP-58 and SP-69 (Type 41/43)



CLEVIS ROLLER HANGERS

PLAIN & HOT DIP GALVANIZED

DIMENSIONAL DATA

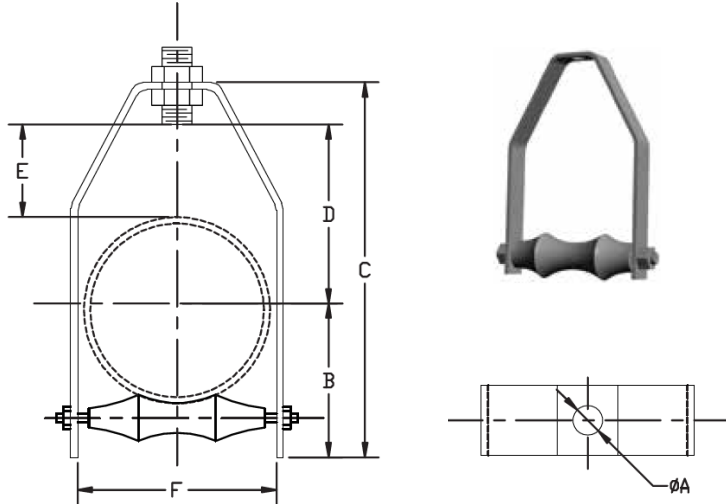


TABLE 2: DIMENSIONAL DATA OF CLEVIS ROLLER HANGERS

CLEVIS ROLLER HANGER – PLAIN & HOT DIP GALVANIZED FINISH

SIZE (in.)	MAX LOAD (lbs.)	WEIGHT (lbs.)	A (in.)	B (in.)	C (in.)	D (in.)	E (in.)	F (in.)
2	150	1.23	3/8-16	1-9/16	4-3/4	2-3/8	1-7/16	2-7/8
2-1/2	225	1.78	1/2-13	1-7/8	6	3-3/16	2	3-1/4
3	310	2.06	1/2-13	2-3/16	6-5/8	3-1/2	2	3-7/8
4	475	3.44	5/8-11	2-3/4	7-7/8	4	2	4-7/8
5	685	6.00	5/8-11	3-3/8	9-3/16	4-9/16	2	5-15/16
6	780	8.00	3/4-10	3-15/16	10-3/8	5-1/16	2	7
8	780	13.00	3/4-10	5-1/16	12-5/8	6-1/16	2	9
10	965	16.00	7/8-9	6-1/4	14-15/16	7-3/16	2-1/16	11-1/8
12	1200	26.00	7/8-9	7-3/8	17-3/8	8-3/8	2-1/4	13-3/8
14	1200	34.00	1-8	8-1/4	19	8-3/4	2-1/4	14-1/2
16	1200	39.00	1-8	9-1/4	20-3/4	9-3/4	2	16-3/8
18	1400	49.00	1-8	10-3/8	23-11/16	11-7/16	2-11/16	18-3/8
20	1600	66.86	1-1/4-7	11-1/2	25-7/8	12-1/4	2-1/2	20-3/8
24	1800	116.30	1-1/2-6	13-13/16	31-9/16	15	3-1/2	24-5/8

**CLEVIS ROLLER HANGERS**

PLAIN & HOT DIP GALVANIZED

ORDERING INFORMATION**TABLE 3: ORDERING INFORMATION OF CLEVIS ROLLER HANGERS PLAIN**

PART NUMBER	PIPE SIZE	FINISH	QTY/BOX
6CRHU0300	3"	Plain	1
6CRHU0500	5"	Plain	1
6CRHU0700	7"	Plain	1
6CRHU0800	8"	Plain	1
6CRHU1400	14"	Plain	1

TABLE 4: ORDERING INFORMATION OF CLEVIS ROLLER HANGERS HOT DIP GALVANIZED

PART NUMBER	PIPE SIZE	FINISH	QTY/BOX
6CRHG0200	2"	Hot Dip Galvanized	1
6CRHG0300	3"	Hot Dip Galvanized	1
6CRHG0400	4"	Hot Dip Galvanized	1
6CRHG0500	5"	Hot Dip Galvanized	1
6CRHG0600	6"	Hot Dip Galvanized	1
6CRHG0800	8"	Hot Dip Galvanized	1
6CRHG1000	10"	Hot Dip Galvanized	1
6CRHG1200	12"	Hot Dip Galvanized	1
6CRHG1400	14"	Hot Dip Galvanized	1
6CRHG1600	16"	Hot Dip Galvanized	1